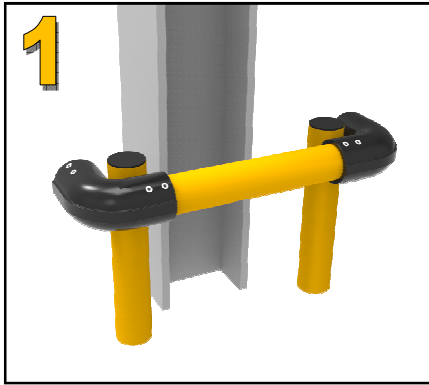




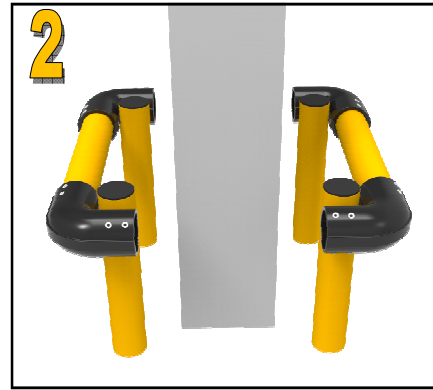
## SLOWSTOP® IRONFLEX COLUMN PROTECTOR INSTALLATION INSTRUCTIONS

[www.slowstop.com/resources/installation](http://www.slowstop.com/resources/installation)

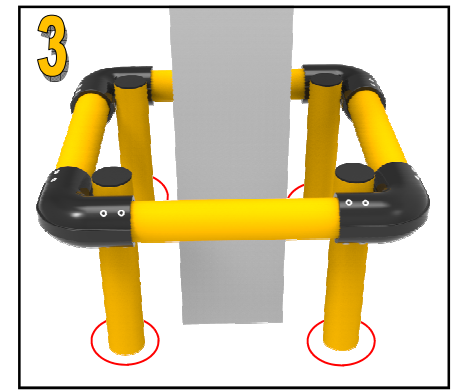
**SLOWSTOP** SYSTEMS  
**GUARDING** LLC



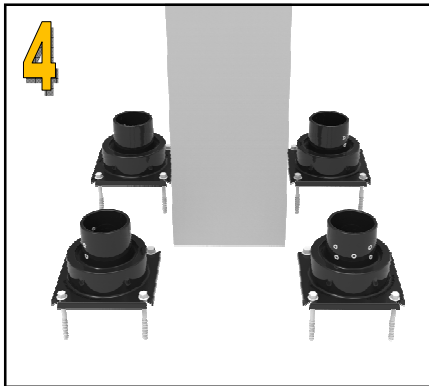
1  
Your IronFlex column protector will arrive partially assembled. Place the assembled parts around the column (without bases). Be sure to carefully hold the pieces in place to prevent tipping. Check your drawing for orientation.



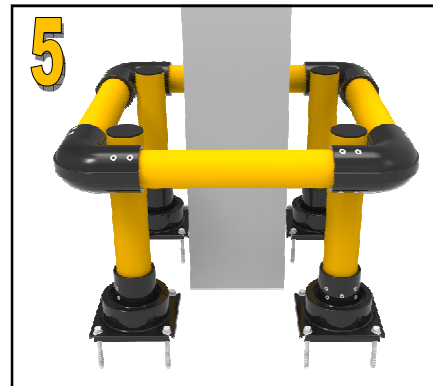
2  
Assemble the horizontal pipes completely into the elbows and loosely tighten one or two set-screws to hold the complete frame in place.



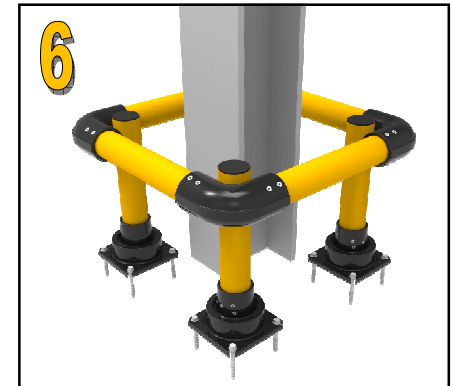
3  
Mark the floor to create the center points for installation of the bases. Inspect for potential interferences such as steel plates and footers. Disassemble the frame to move it aside.



4  
Install the four bases centered on the previous marks using the anchors provided. See our bollard installation instructions if you are unfamiliar with this step.



5  
Loosely re-assemble the frame onto the bases. It may be necessary to complete the frame rotated 45° then use wood planks and a fork lift to position the frame into the bases.



6  
Firmly tighten all set-screws once the vertical pipes have been fully inserted into the bases. Set-screws should dig into the steel pipes when complete.