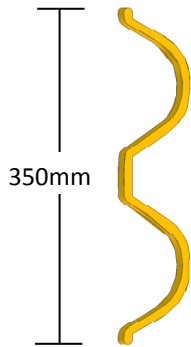
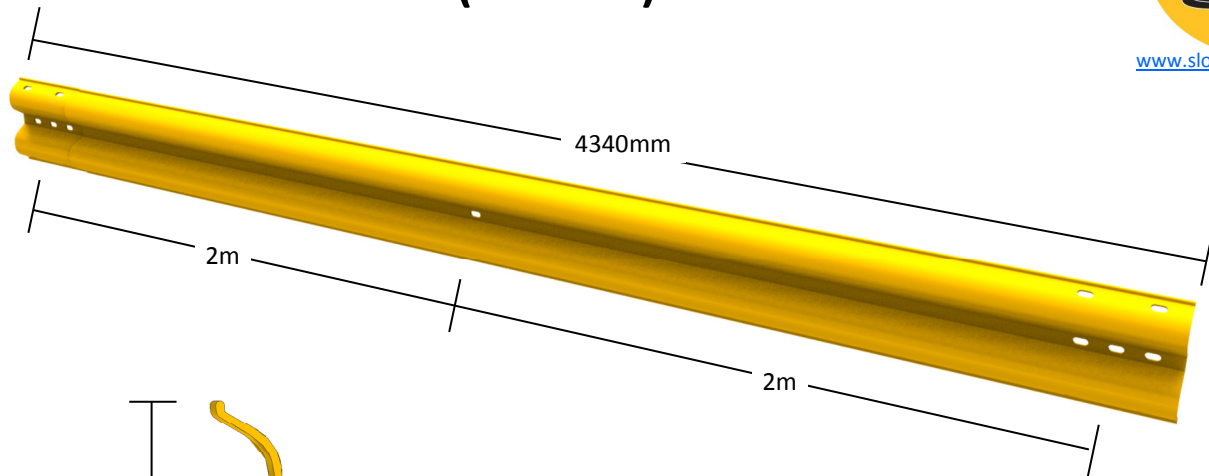


# SlowStop® PC Guard Rail—4m (SSRY-4-I)

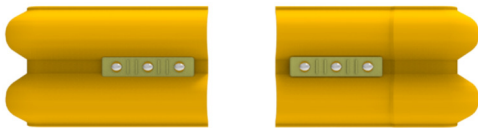


[www.slowstop.eu](http://www.slowstop.eu)



End Caps Available

SSEY—Female, attaches to indented end  
SSEY-M—Male, attaches to straight end



### SPECIFICATIONS

- Break Strength: 11.264 kgf (110,4 kN)
- Energy Absorption: 12.971 Joules (static mount @ 45°)
- Max deflection: 56 cm (static mount)
- Temperature Rating: -40°C to 115°C
- Traffic Yellow (RAL 1023)
- Weight: 18 kg (approx. 25% compared to steel)
- No bending equipment required for curves

### RECOMMENDED USES



- Mount to SlowStop® Rebounding Bollards for increased strength.
- Industrial Equipment Protection
- Pedestrian Aisle Ways
- Utility Guarding
- Access Denial
- Parking Perimeters



4955 Stout Dr. • San Antonio, TX 78219  
 TEL: +1 (210) 736 4477 • FAX: +1 (210) 734 6448  
 Email: [info@slowstop.eu](mailto:info@slowstop.eu)  
[www.slowstop.eu](http://www.slowstop.eu)



QR: Download Spec Sheets  
 ©2020 SlowStop. All rights reserved. 10-FEB-2020