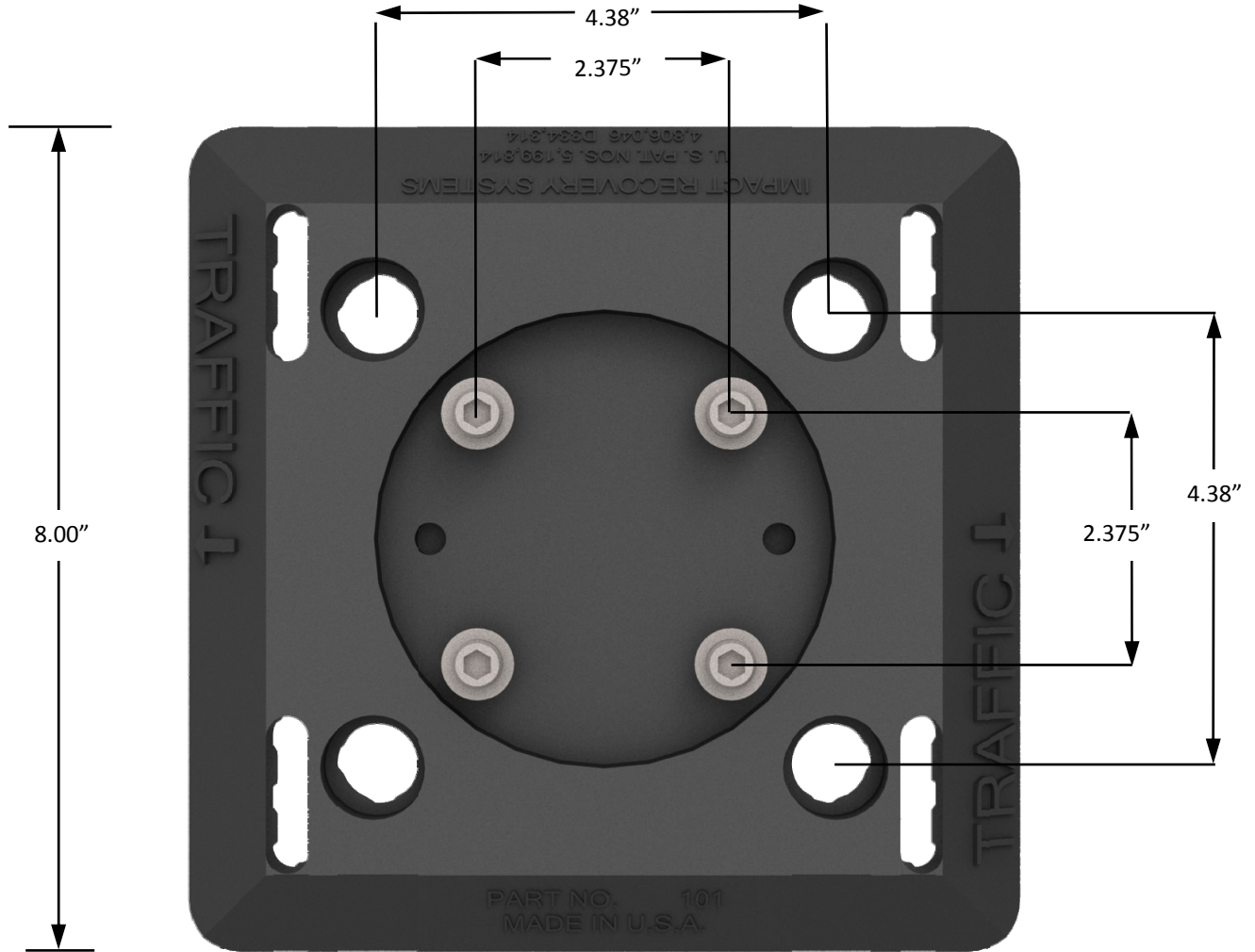


Surface Mount, Fixed Base, Stainless Steel (#BS-SMFx-SS)



Dimensions of Base: 8" x 8" x 1"
 Material: HDPE (High Density Polyethylene)
 Hardware: Stainless steel screws and t-nuts
 Compressive Strength: 70,000 pounds

COLORS AVAILABLE

