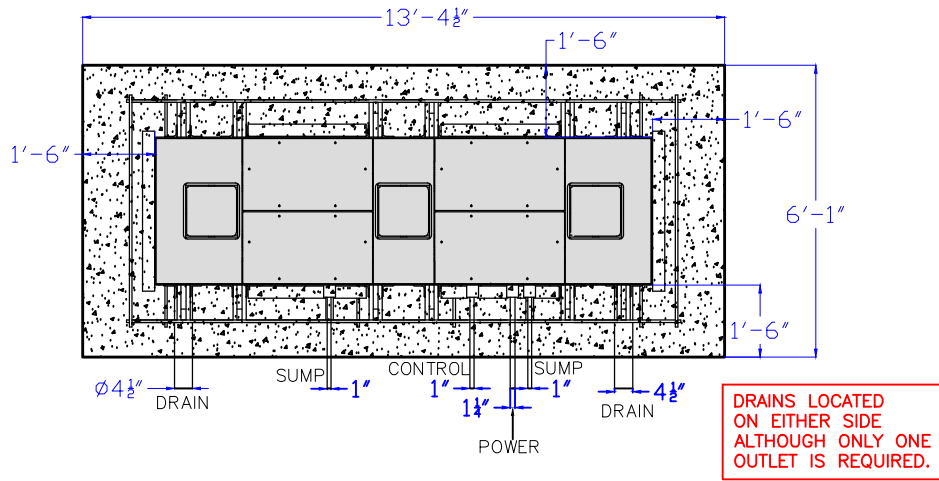




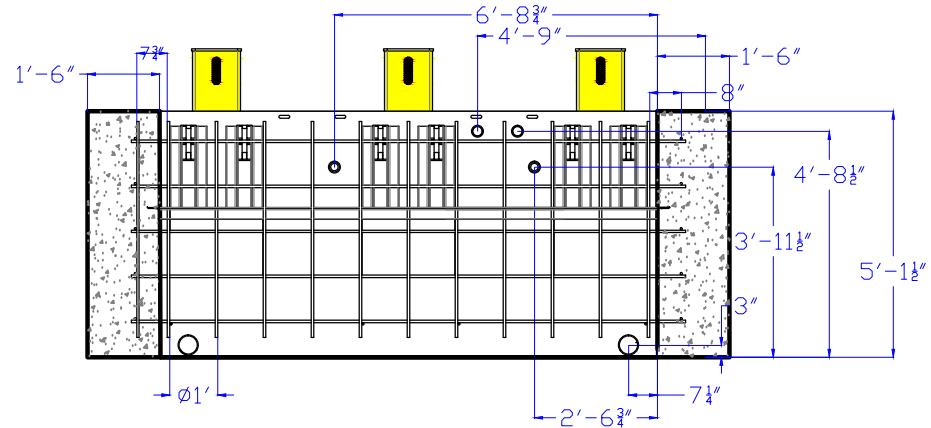
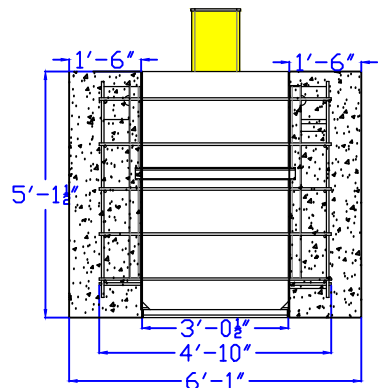


REV.	DESCRIPTION	DATE

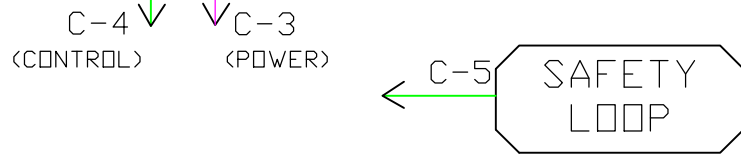
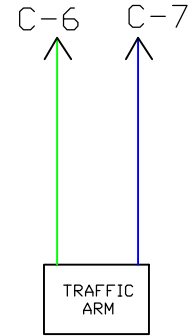
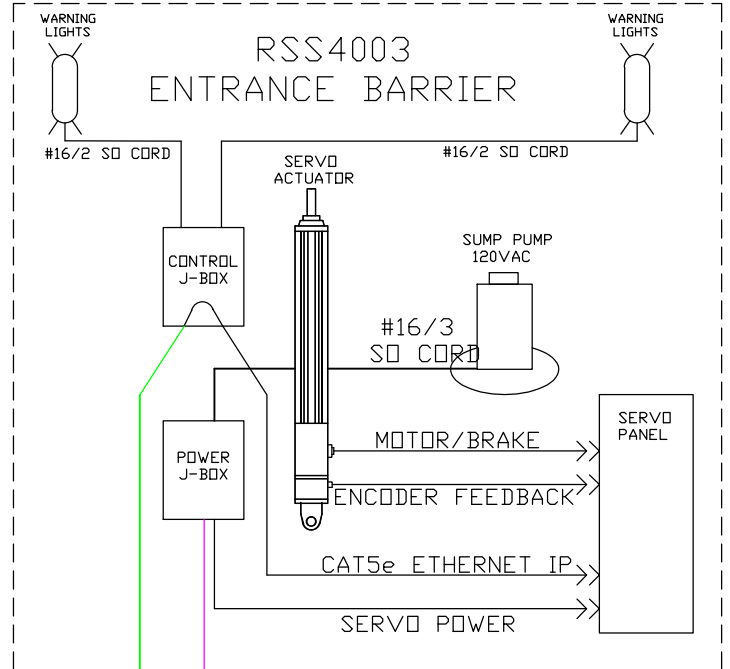
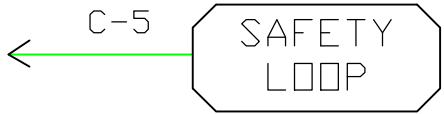
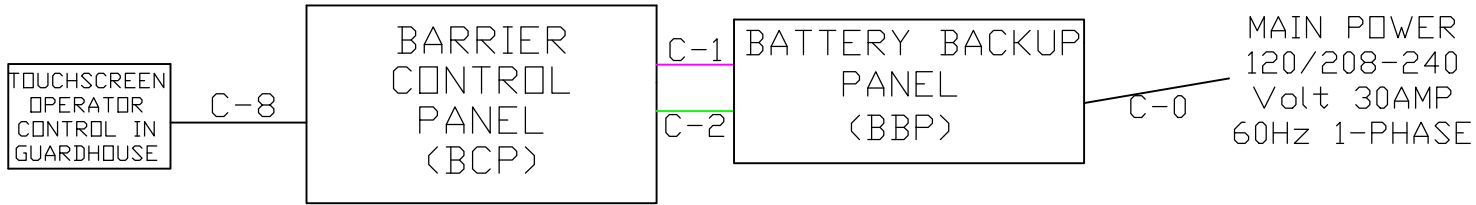


RSS-4003 Vehicle Barrier Installation:

1. Excavate 6'1" X 12' 4 1/2" X 5' 1/2" pit
2. Compact Soil to 95% or per local specs
3. Position barrier in excavation
4. Connect Natural Drains (if applicable)
5. Connect Conduit Connections (Electric, Controls, & Sump Pump)
6. # 5 REBAR IS ATTACHED TO THE BARRIER WHEN SHIPPED
7. Pour approx. 8.5 yards concrete (3000 PSI minimum)
8. Set vehicle barrier 1/2" above existing roadway then taper concrete for smooth transition.
9. BARRIER WEIGHT 10,000#, WITH HEAT 10,300#







NOTE: CONDUIT LAYOUT TYPICAL ALL BARRIERS

DATE: 6-22-16	PROJECT NO.	SHEET NO. 5
---------------	-------------	-------------

PROJECT NAME: RSS4003 SAMPLE DRAWINGS, 6-22-16

SHEET CONDUIT LAYOUT 3 BARRIERS

TITLE: RSS4003 POP UP TYPICALS

RSSI BARRIERS, LLC  
6530 HWY. 22  
PANAMA CITY, FL 32404  
(850)871-9300

RSSI BARRIERS, LLC  
866.249.1029  
www.rssibarrriers.com

REV	DESCRIPTION	BY	DATE

# WIRE & CONDUIT LEGEND

CONDUIT SCHEDULE					
CONDUIT ID	FROM	TO	CONDUIT SIZE	WIRE SPECS	PURPOSE
C-0	MAIN POWER SOURCE	BATTERY BACKUP PANEL	BY INSTALLER	BY INSTALLER L1,L2,N & GRD	MAIN POWER
C-1	BATTERY BACKUP PANEL	BARRIER CONTROL PANEL	1"	4-#10 THHN 1-#10 GND	SYSTEM POWER
C-2	BATTERY BACKUP PANEL	BARRIER CONTROL PANEL	1"	3-#16 THHN (24VDC)	BATTERY BACKUP STATUS
C-3	BARRIER CONTROL PANEL	BARRIER POWER J-BOX	1"	2-#10 THHN 1-#10 GND 2-#12 THHN	BATTERY SERVO DRIVE POWER SUMP PUMP
C-4	BARRIER CONTROL PANEL	BARRIER CONTROL J-BOX	1"	1-CAT5e CABLE 2-#16 THHN	COMMUNICATIONS WARNING LED'S
C-5	BARRIER CONTROL PANEL	SAFETY LOOP	1"	#16 XPLE LOOP WIRE	SAFETY LOOP
C-6	BARRIER CONTROL PANEL	TRAFFIC ARM	1"	4-#16 THHN	CONTROLS
C-7	BARRIER CONTROL PANEL	TRAFFIC ARM	1"	2-#14 THHN 1-#14 GND	POWER
C-8	BARRIER CONTROL PANEL	TOUCHSCREEN OPERATOR CONTROL	1"	1-CAT5e CABLE 2-#16 THHN	TOUCHSCREEN OPERATOR CONTROL

ALL FIELD WIRING TO BE THHN STRANDED CONDUCTORS.  
ALL CAT5E CABLE IN CONDUIT TO BE TYPE CMXF.

NOTE: IT IS THE RESPONSIBILITY OF THE INSTALLING CONTRACTOR TO ENGINEER ALL WIRING ON SITE TO MEET THE GOVERNING WIRE SIZE, POWER REQUIREMENTS AND LOCAL ELECTRICAL CODES. THIS CHART IS BASED ON A MAXIMUM DISTANCE OF 100' FROM THE BCP TO THE BARRIER.

DATE: 6-22-16	PROJECT NO.	SHEET NO.
		6

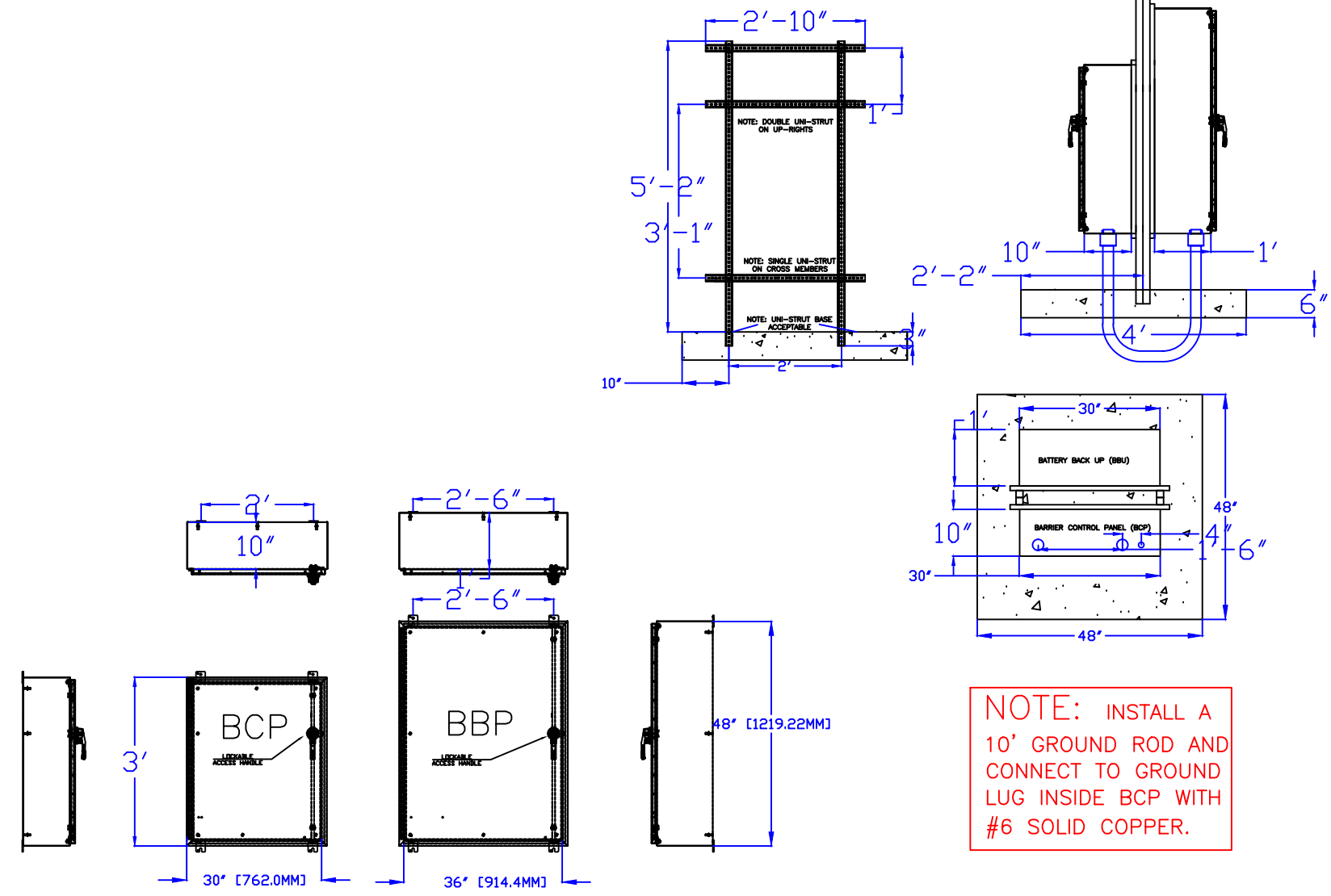
PROJECT NAME: RSS4003 SAMPLE DRAWINGS, 6-22-16  
SHEET WIRE AND CONDUIT LEGEND  
TITLE: RSS4003 POP UP TYPICALS

RSSI BARRIERS, LLC  
6530 HWY. 22  
PANAMA CITY, FL 32404  
(850)871-9300

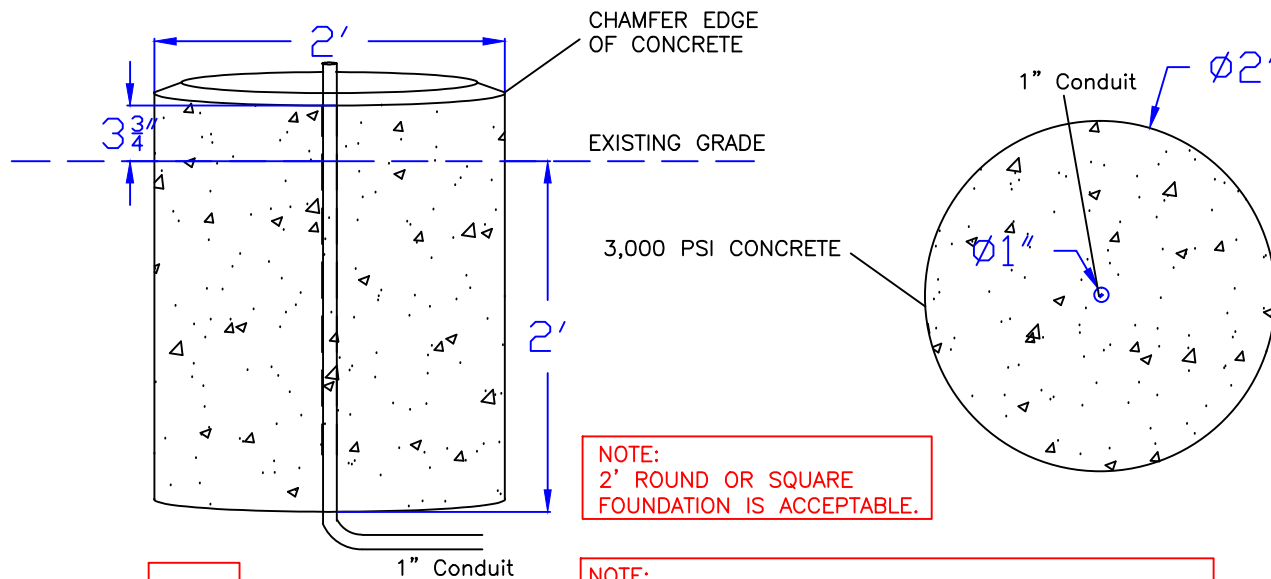


REV.	DESCRIPTION	BY:	DATE:

REV.	DESCRIPTION	DATE



FOUNDATION SUITABLE FOR TRAFFIC LIGHTS OR GATE ARMS.



NOTE:  
TRAFFIC LIGHTS REQUIRE 1  
CONDUIT, GATE ARMS REQUIRE 2  
CONDUITS, POWER AND CONTROL

NOTE:  
2' ROUND OR SQUARE  
FOUNDATION IS ACCEPTABLE.

NOTE:  
USE 1/2"x6" WEDGE ANCHORS. FOR BEST RESULTS,  
PLACE THE LIGHT POLE BASE OR GATE ARM AND  
MARK THE LOCATION FOR THE ANCHOR BOLTS.

DATE	6-22-16
PROJECT NO.	
SHEET NO.	7

PROJECT NAME: RSS4003 SAMPLE DRAWINGS, 6-22-16  
SHEET: CONTROL PANEL FOUNDATION  
TITLE: RSS4003 POP UP TYPICALS

RSSI BARRIERS, LLC  
6630 HWY. 22  
PANAMA CITY, FL. 32404  
(850)871-8300  
www.rssibarrriers.com

REV.	DESCRIPTION	DATE