

REBLOC 84XEA.3_8

Standard element

Application
Permanent system

Installation
Embedded

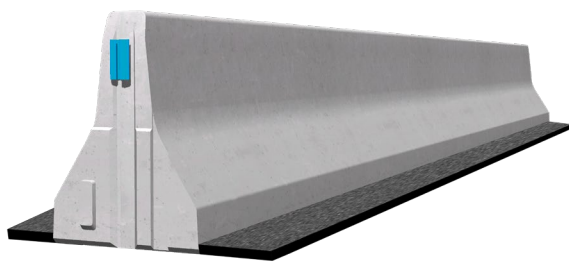
H2 | **W1**
tested according to EN1317-1/2



Containment level **H2** (covers H1, N1, T3, T2, T1)
Working width **W1** (covers W2, W3, W4, W5, W6, W7, W8)
Impact severity level **ASI B**

Product features & Advantages

- Only 4 cm embedment in asphalt/concrete
- Ideal application for limited space and for short minimum installation lengths
- No system movement with slim construction



The vehicle restraint system 84XEA.3_8 is embedded 4 cm in asphalt or concrete and is mainly used, where a high containment level is needed within a narrow space.

The installation of short barrier sections is possible due to a short minimum installation length. The system is also available with drainage openings.

The integrated, innovative coupling does not contain any loose parts. This does not only enhance the safety, but also the installation speed. The easy installation, which does not depend on weather conditions, reduces the disruptions of the traffic flow.

Thanks to the interlocking coupling, there are no loose parts, which prevent unauthorized removal of pieces and protects fully against vandalism.

The system REBLOC 84XEA.3_8 can also be installed backfilled.

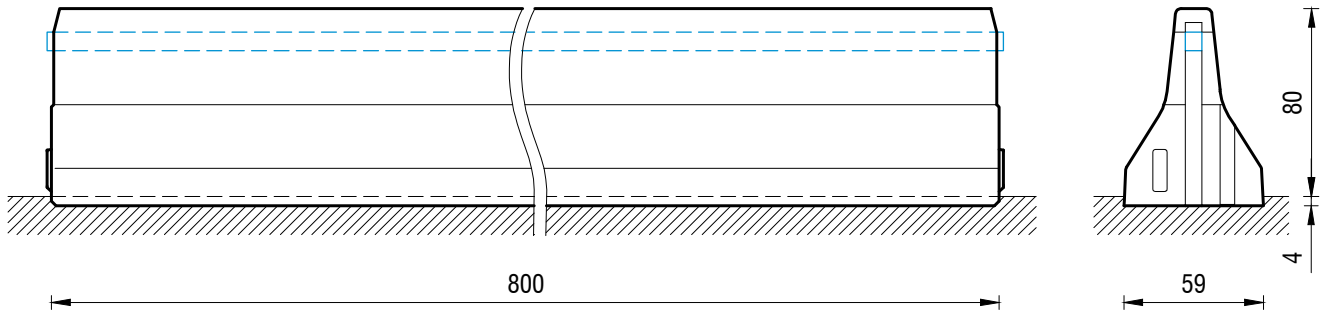
REBLOC 84XE.A.3_8

Standard element



tested according to EN1317-1/2

Technical data



all dimensions in cm

Containment level	H2
Working width	W1
Impact severity level	ASI B
Vehicle intrusion	VI3
Installation	4 cm embedded in asphalt/concrete
Terminal elements	not necessary, optional available
Dimensions L x W x H in cm	800 x 59 x 84 cm
Weight/element	4.800 kg
Elements/truck (24 t)	5 elements
Minimum installation length	32 m
Curve radius	$r \geq 260$ m, smaller radii on request
Coupling/exposed steel parts	fully integrated, exposed parts hot-dip galvanized
CE certification	✓